

ICY DOCK®

MB663UB/USB Series

2.5" External Enclosure

Start Here →



MB663USB Series



MB663UB Series



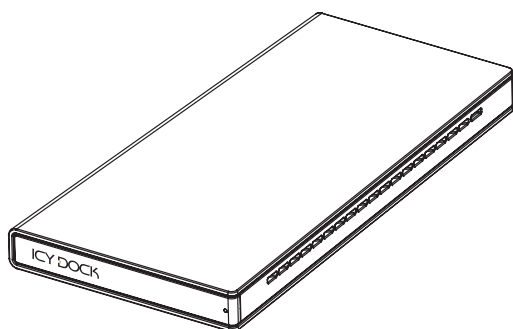
Ultra Slim Design

Quick Installation Guide

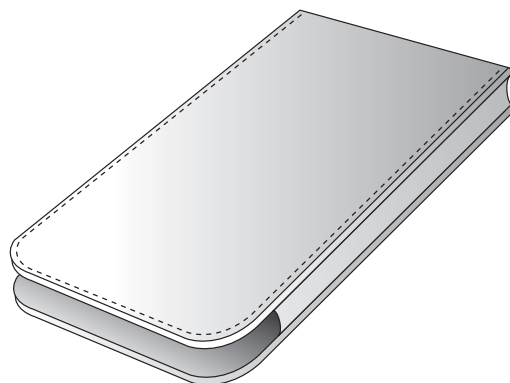
6501242 V2.0

1

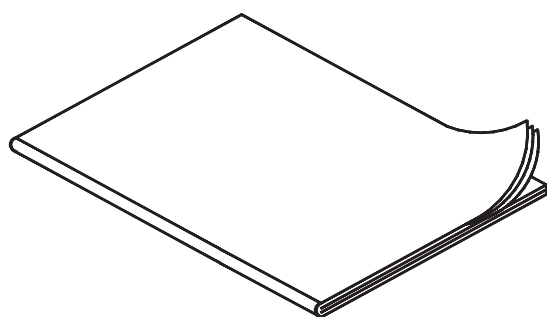
Package Contents • 包裝說明



Enclosure Device • 產品

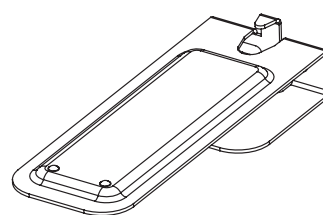


Pouch • 皮套



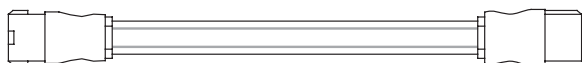
Manual • 說明書

MB663UB Series only • MB663UB系列配件

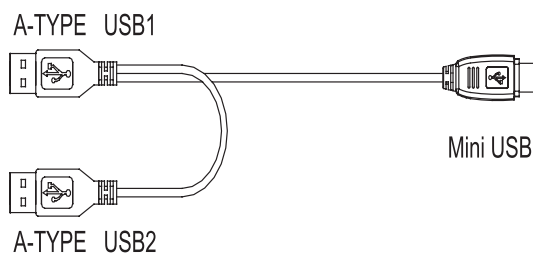


HDD eject key • 硬碟推出器

MB663USB Series only • MB663USB系列配件



eSATA to SATA Cable • eSATA 轉 SATA 傳輸線



Mini USB Y Cable • Mini USB Y型傳輸線

2

Front Panel Information • 前面板說明

MB663UB & MB663USB Series

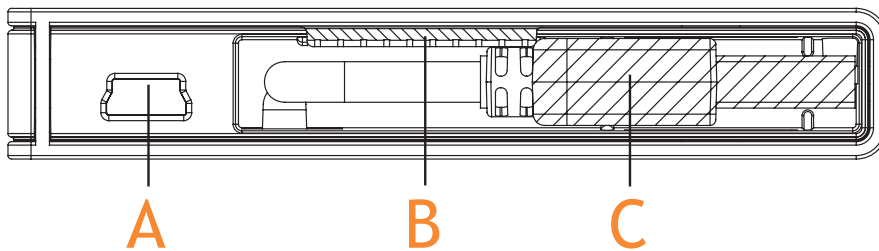


- A) White LED, Illuminates when device is turned on; flashes during drive activity.
• 通電時白色LED會亮起;硬碟讀取時白色LED則會不斷閃爍.

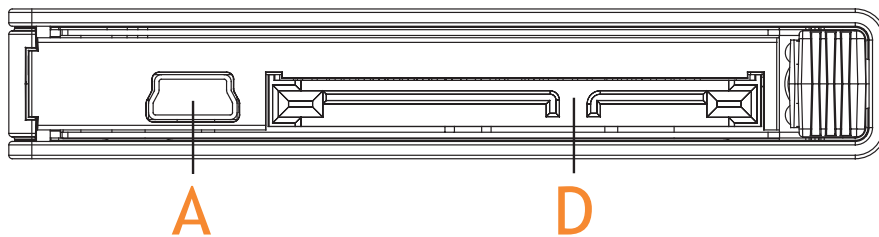
3

Back Panel Information • 背板說明

MB663UB Series



MB663USB Series



A) Mini USB port • Mini USB 插孔

B) HDD eject slot • HDD推出孔

C) Built-in USB Connector • 內建USB插頭

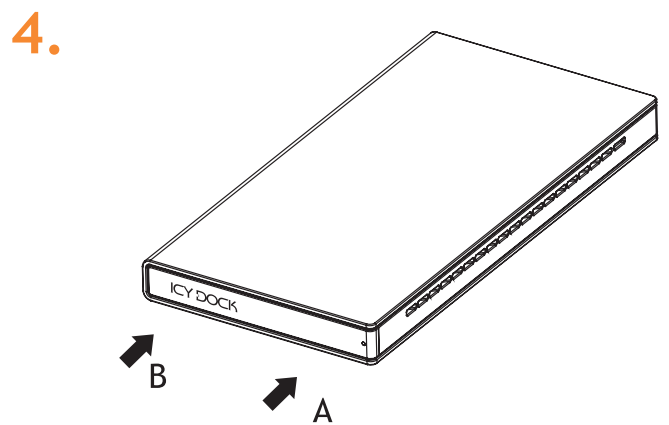
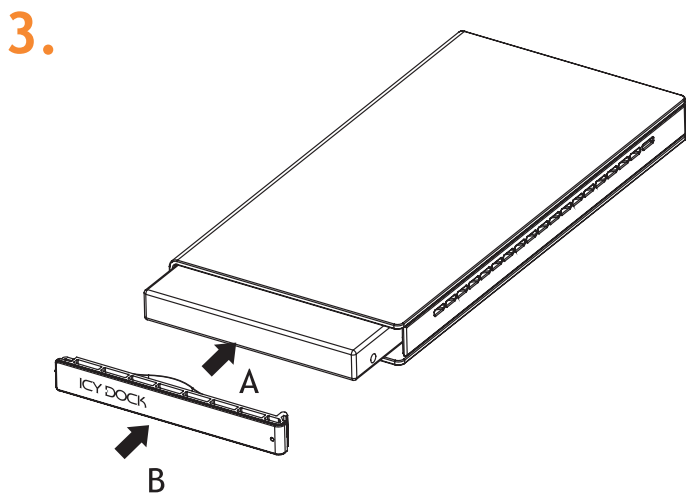
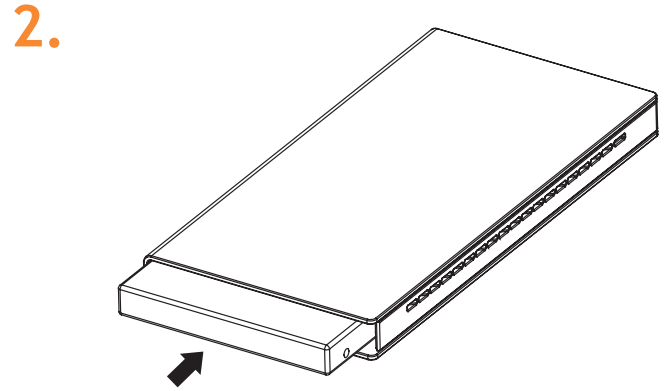
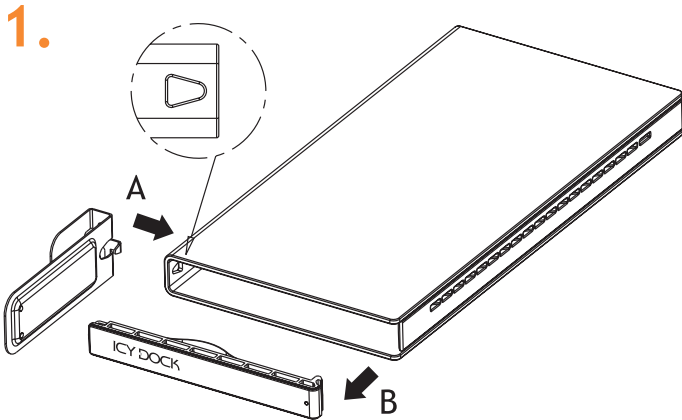
D) SATA 7+15P Connector • SATA 7+15P 接頭

4

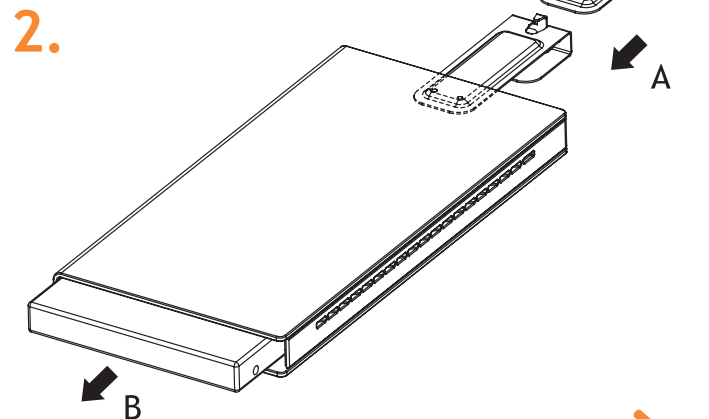
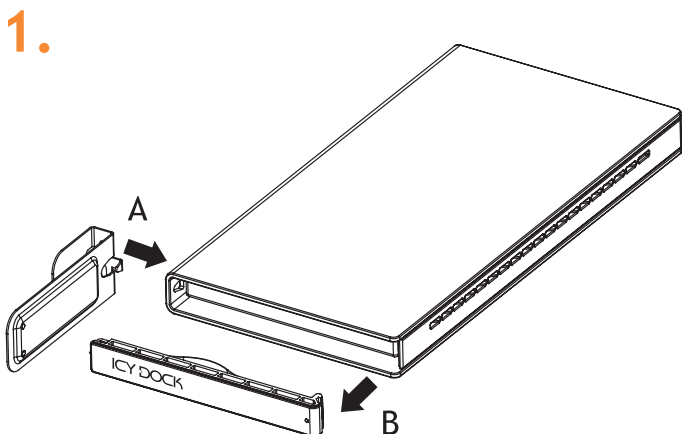
Hard Drive Installation • 硬碟安裝

MB663UB Series

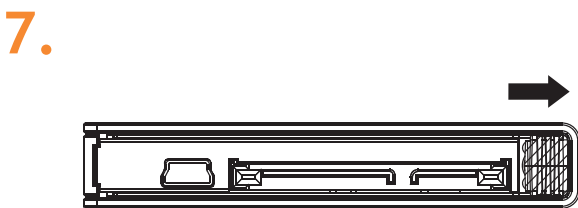
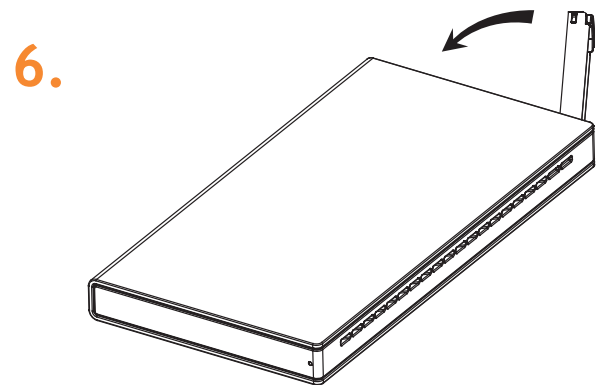
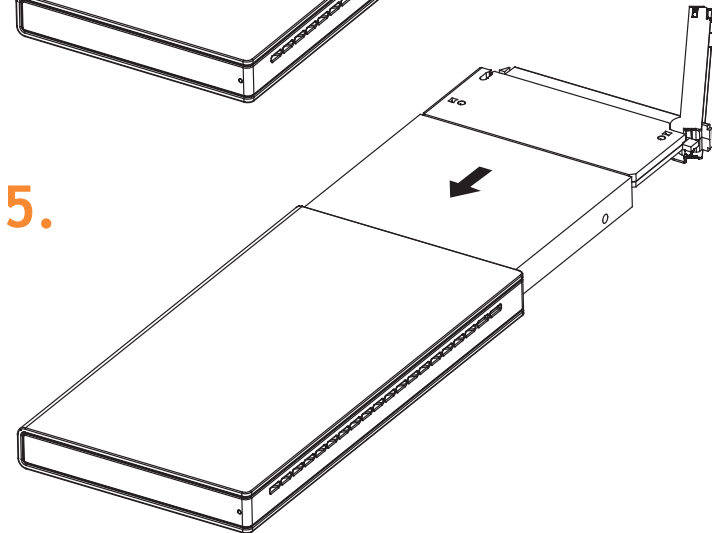
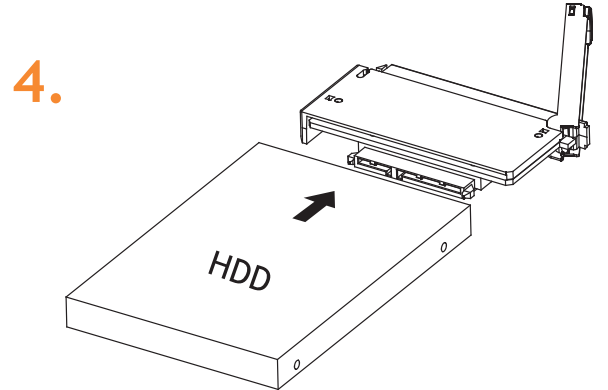
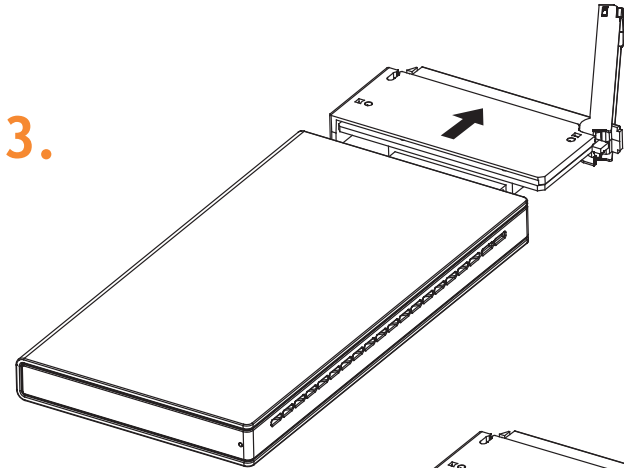
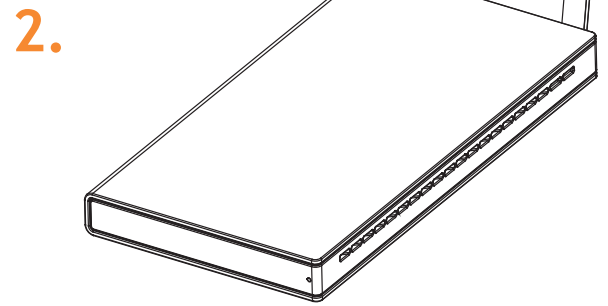
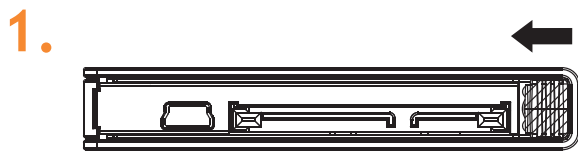
Hard Drive Insert • 硬碟置入



Hard Drive Eject • 硬碟移除

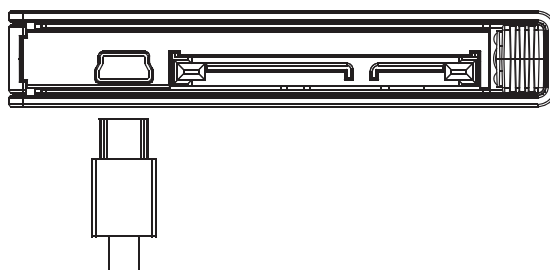


MB663USB Series



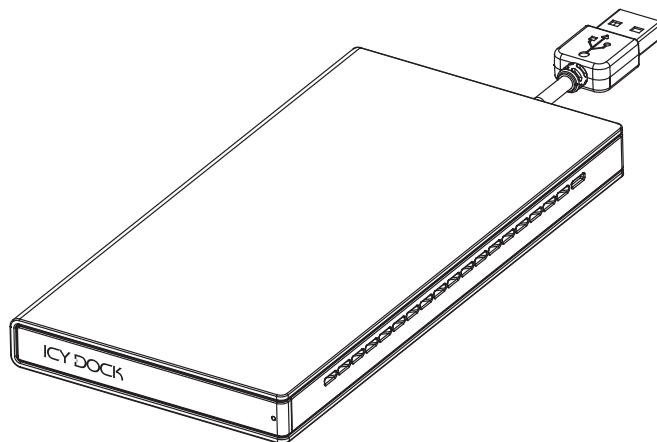
When using MB663USB Series 2.5" external portable enclosure, connect the USB cable to the mini USB port and connect USB Type A (see package content section) to an available USB port on the computer.

- 使用MB663USB系列2.5吋外接盒時，請將USB Cable插至抽取盒後方之Mini USB接口，另一端則插入電腦之USB接口。



When using MB663UB Series 2.5" external portable enclosure, pull out the USB connector from the back of the enclosure and plug into the USB port on the Desktop / Laptop.

- 使用MB663UB系列2.5吋外接盒時，請將外接盒後方之內建USB線拉出，插入電腦之USB接口。



Note • 註記

When using the 2.5" external portable enclosure, if the computer fails to detect the drive, plug in both USB connectors (USB1 & USB2) of mini USB Y cable to the computer. If the problem still occurs, please make sure the USB driver has been installed properly.

- 遇到抽取盒外接無法抓到HDD時，請將外接線上之USB2同時接上電腦。如以上方法還是無法抓到HDD時，請確認USB是否有驅動。

The 3.5" internal receiving dock (optional) of the MB663UB series is different from MB663USB series. Both 2.5" enclosures cannot be interchangeable.

- MB663UB與MB663USB內接使用時需搭配各自相容之3.5"內接框架(選配產品)。另購3.5"內接框架時,請注意其對應2.5"外接盒型號。

Users are advised to "safely remove the hardware" from the computer before unplugging the cable or turning off the device.

- 建議使用者在移除或關掉本裝置時先進入裝置管理員解除本裝置。

If the hard drive does not support ACCESS signal, then the white LED lights will not flash when the hard drive is in use.

- 若硬碟本身無提供ACCESS信號,硬碟讀取時白燈不會閃爍。

If the system cannot detect the device, please go to device management to search for the device.

- 若系統偵測不到本裝置,請進入裝置管理員搜尋裝置。

MB663USB model only: When using eSATA, connect the eSATA cable from your PC to the enclosure (if your PC does not have an eSATA port, connect the eSATA bracket to an available SATA port). *It is required to connect the USB Y cable to draw power from either PC or Laptop.

- MB663USB系列:使用eSATA介面時，將eSATA連接線從電腦連接至外接盒(若電腦沒有內建eSATA連接埠，請安裝 eSATA連接埠支撐架並連接至電腦的SATA連接埠)。*需連接USB Y-Cable以供應電源。

For more information, please go on our website at www.icydock.com

- 欲知更多產品資訊，歡迎上網瀏覽本公司網站：www.icydock.com